

Band pass filtered Super Het OOK Receiver

433.92 Mhz superhet receiver RED compliant
(Radio Equipment Directive 2014/53/EU)



RX-4MR50++

DESCRIZIONE

Ricevitore economico OOK operante a 433.92 Mhz con filtro passa banda, compatibile con la RED (Radio Equipment Directive 2014/53/EU) e in particolare con le norme armonizzate:

- EN 301 489-3 : V2.1.1 (final draft)
- EN 300 220-2 : V3.1.1

Ingresso antenna protetto da scariche ESD, conforme alla normativa 61000-4-2.

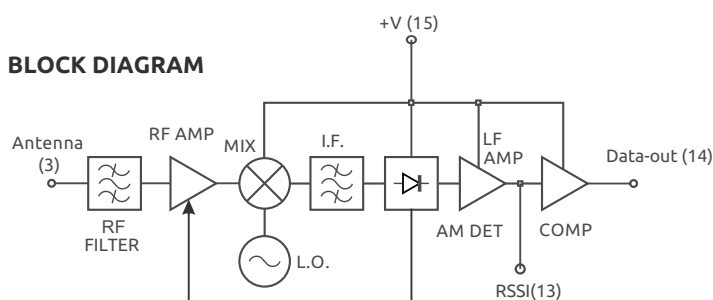
DESCRIPTION

Low cost OOK receiver working at 433.92 Mhz with band pass filter, compliant with RED (Radio Equipment Directive 2014/53/EU) and in particular with harmonics standards:

- EN 301 489-3 : V2.1.1 (final draft)
- EN 300 220-2 : V3.1.1

ESD antenna protection in compliance with EN61000-4-2.

BLOCK DIAGRAM



TECHNICAL SPECIFICATION

Ta = 25 °C

CHARACTERISTICS		MIN	TYP	MAX	UNIT
Supply Voltage	Alimentazione	3	5	5.5	Vdc
Supply Current	Corrente Assorbita	4.1	4.3	4.6	mA
Reception frequency	Frequenza di ricezione		433.92		MHz
RF sensitivity*	Sensibilità RF*		-109	-114	dBm
IF Bandwidth - 3dB	Banda passante IF a - 3dB		420		KHz
RF power on 50 Ohm pin ant.	Potenza RF su 50 Ohm pin ant.			-60	dBm
Square wave output	Onda quadra in uscita	0.020	1	5	KHz
Output high voltage	Livello alto d'uscita	Vcc-0.6		Vcc-0.1	V
Output low voltage	Livello basso d'uscita	GND		GND+0.4	V
Switch on time	Tempo dio accensione			4	msec
Operating temperature range	Temperatura di lavoro	-20		+85	°C

- * RF generator with 100% modulation
- * Generatore RF con modulazione 100%

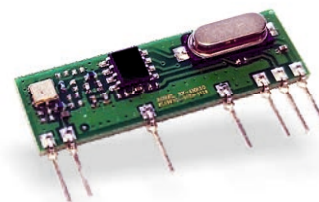
Contact : P2M - Phone : 01 30 62 64 64 - email : infos@p2m.com

This information may be subject to revision without notice. AUREL makes no warranty and assumes no liability in connection with any use of this information.

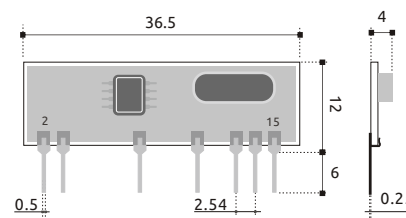
26.04.2018 - Rev A



COMPONENT SIDE



DIMENSIONS



PIN-OUT

- 2) Ground
- 3) Antenna
- 7) Ground
- 11) Ground
- 13) RSSI Out
- 14) Data-out
- 15) +V